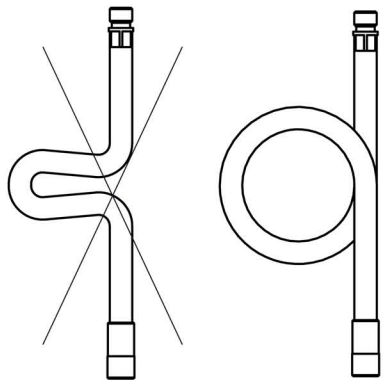
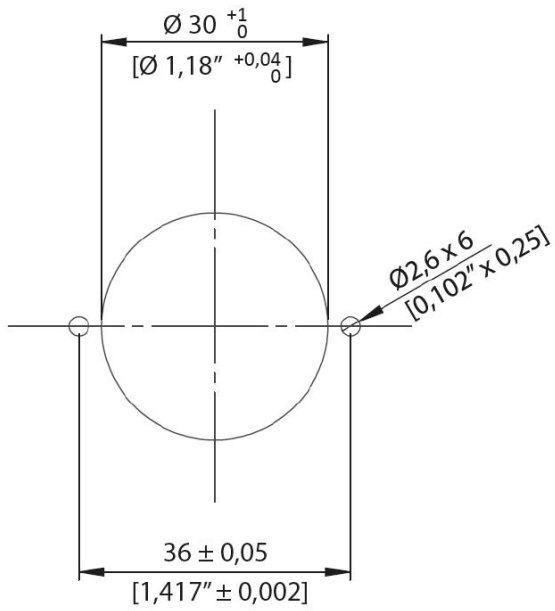
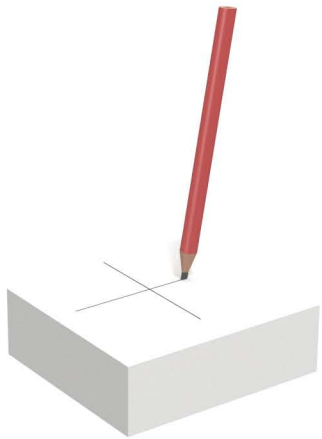


## Installation Instructions BROEN-LAB UniFlex™ - M30



94G0133

1



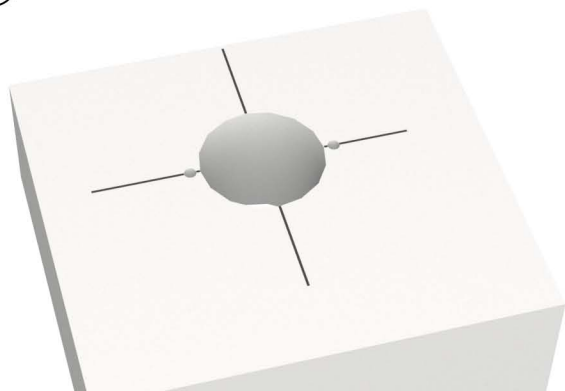
2



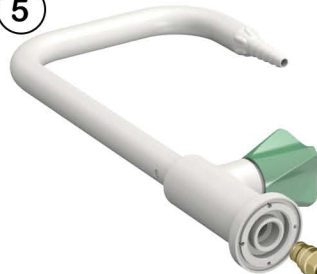
3



4



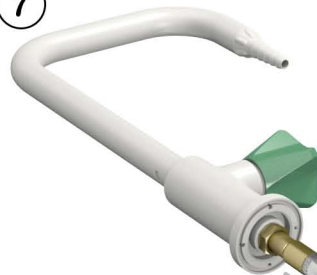
5



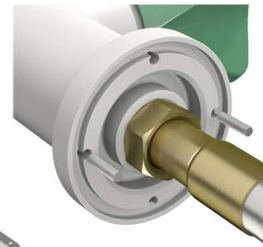
6



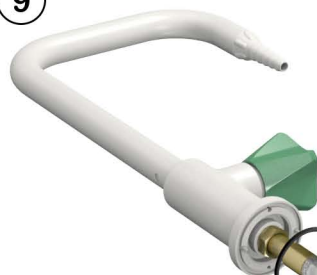
7



8



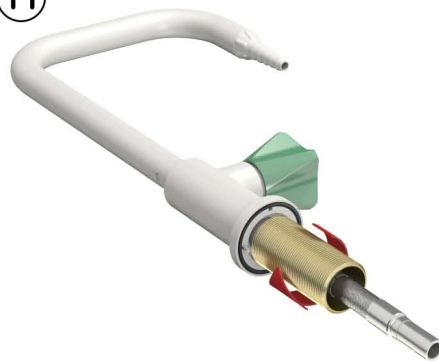
9



10



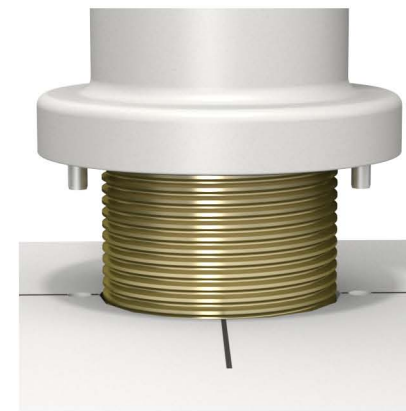
11



12



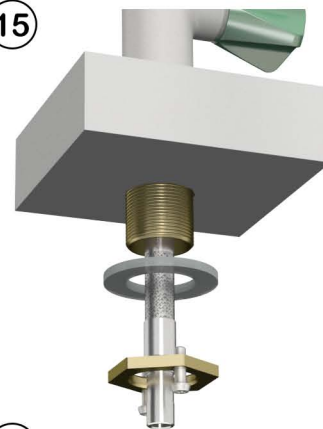
13



14



15



16



17

